

# INSTALLATION INSTRUCTIONS

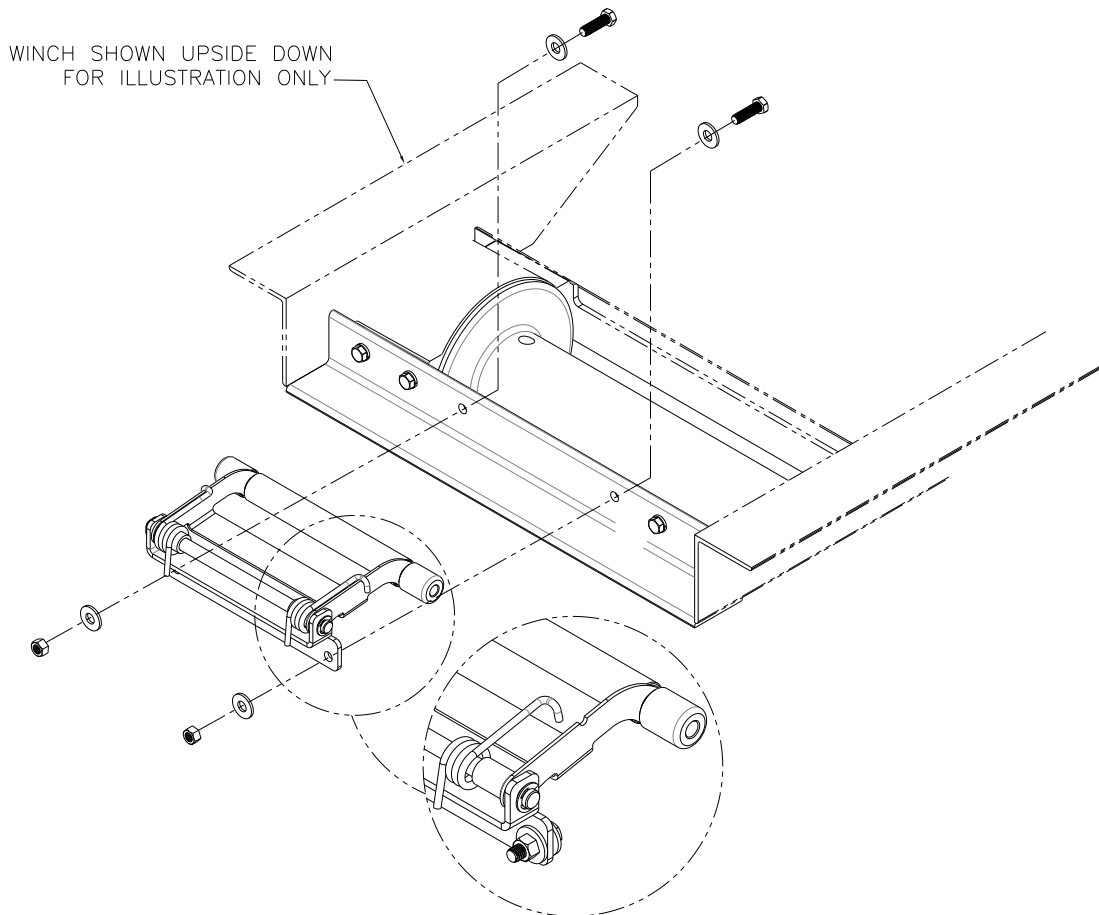
## FOR KIT #256180

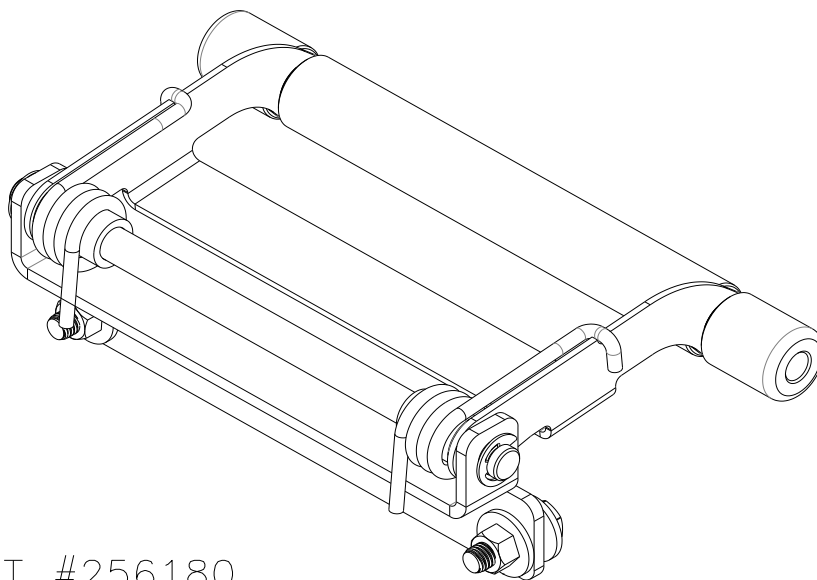
### FOR H8 SIERRA WINCHES IN MILLER FRAME

This tensioner kit is designed specifically for Ramsey Winch Model H8 Sierra in Miller frame. Kit #256180 is configured for underwound application. Winch removal may be necessary before kit installation.

#### INSTALLATION PROCEDURE

Unhook the spring legs from the tensioner arms as shown in illustration below. Remove the two nuts and washers from mounting bolts on tensioner assembly. Install the two mounting bolts and washers into the angle as shown below. Align the two mounting bolts with holes in the tensioner mounting plate as shown in illustration below. Push on the tensioner assembly until one of the bolts goes thru the tensioner mounting plate. **There will be some spring preload.** Install the washer and nut. Repeat the process for the other bolt. Using a flat blade screw driver or similar tool, hook the spring legs onto the tensioner arms. Alternate tightening bolts evenly until the tensioner bracket is flat against the angle. Tighten bolts to 35 ft.-lb. and reinstall cable on drum.





KIT #256180



P O BOX 581510  
TULSA, OKLAHOMA 74158-1510 USA

KI-913446-1118-A