

INSTALLATION INSTRUCTIONS

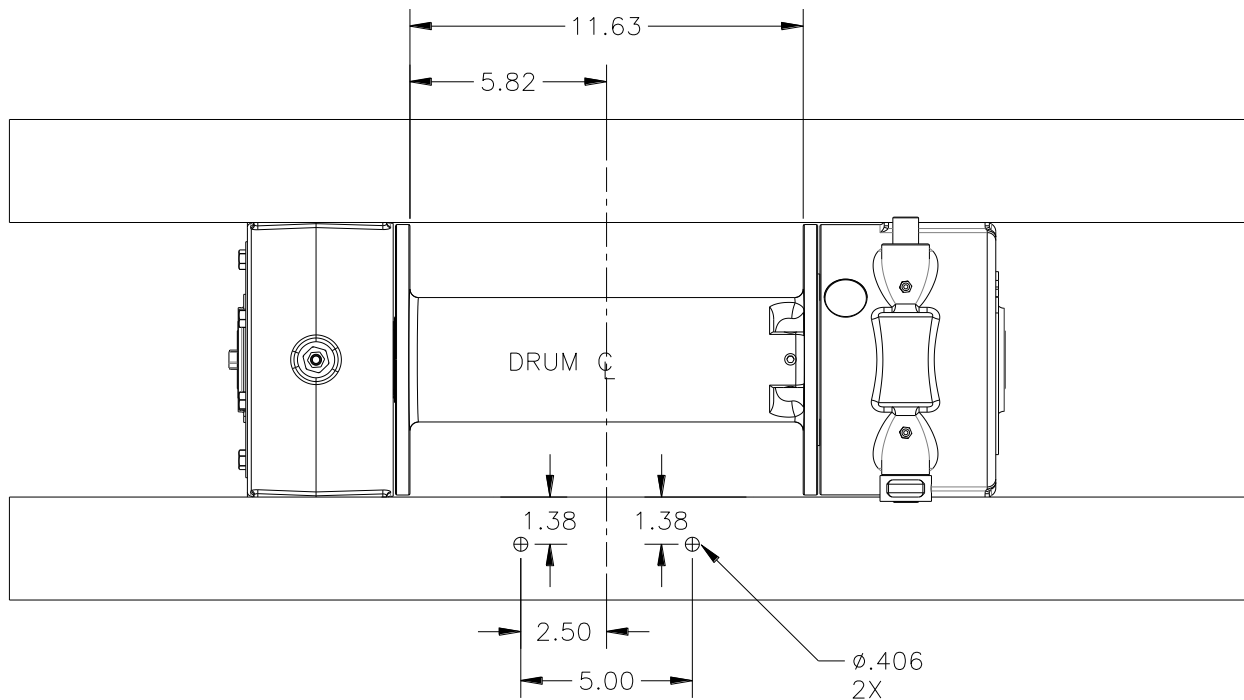
FOR KIT #256171

FOR H400 SERIES WINCHES

This tensioner kit is designed specifically for Ramsey Winch Model H400. Kit #256171 for standard drum is configured for overwound applications. Winch removal may be necessary before kit installation.

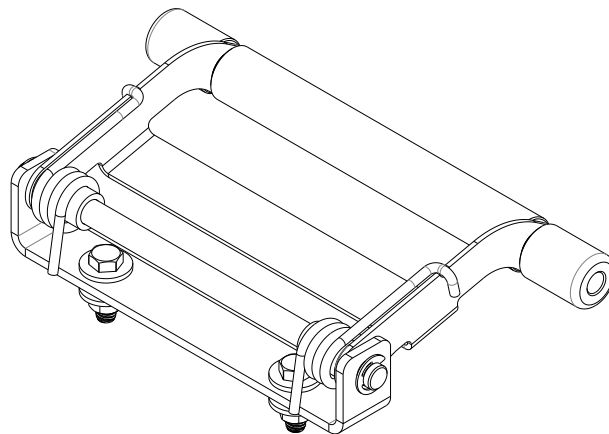
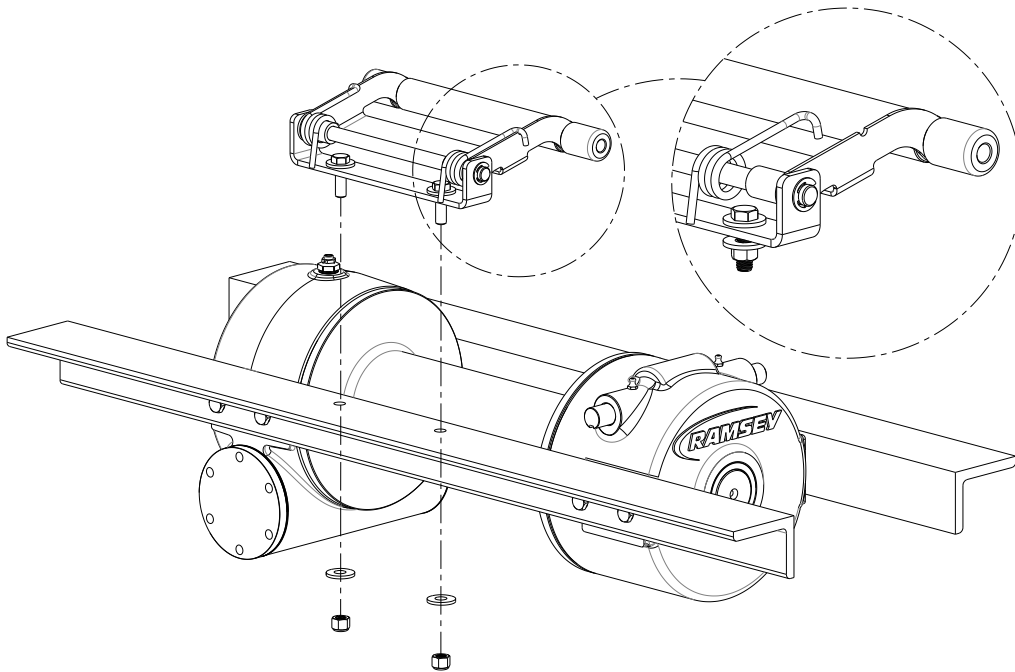
LOCATING AND DRILLING TENSIONER MOUNTING HOLES PROCEDURE

Disengage the winch clutch and free spool cable off the winch down to the cable anchor. Locate centerline of drum and mark angle on opposite side of working cable as starting point to layout hole pattern. Use illustration below for standard drum. Locate and mark mounting hole pattern using dimensions on illustrations below. Drill two .406 diameter (13/32) holes.



INSTALLATION PROCEDURE

Unhook the spring legs from the tensioner arms as shown in illustration below. Remove the two nuts and washers from mounting bolts on tensioner assembly. Align the two mounting bolts with holes in the angle as shown in illustration below. Push down on the tensioner assembly until one of the bolts goes thru to the underside of the angle. **There will be some spring preload.** Install the washer and nut. Repeat the process for the other bolt. Using a flat blade screw driver or similar tool, hook the spring legs onto the tensioner arms. Alternate tightening bolts evenly until the tensioner bracket is flat against the top of the angle. Tighten bolts to 35 ft.-lb. and reinstall cable on drum.



STANDARD DRUM
TENSIONER
#256171

RAMSEY
WINCH

KI-913441-1017-A