

Applicable for:
HD-P and RPH Series
Planetary Gear Winches



Effective, reliable design

- Torsional springs for uniform pressure
- Reduces “bird-nesting” when free-wheeling cable
- Aids in level winding

Maintenance free

- Roller uses oil impregnated bronze bushings
 - Permanently lubricated
- All other components zinc plated
 - Excellent corrosion resistance

Roller design

- Rolls on cable
- Increases cable life over plate tensioners

Simple bolt-on accessory

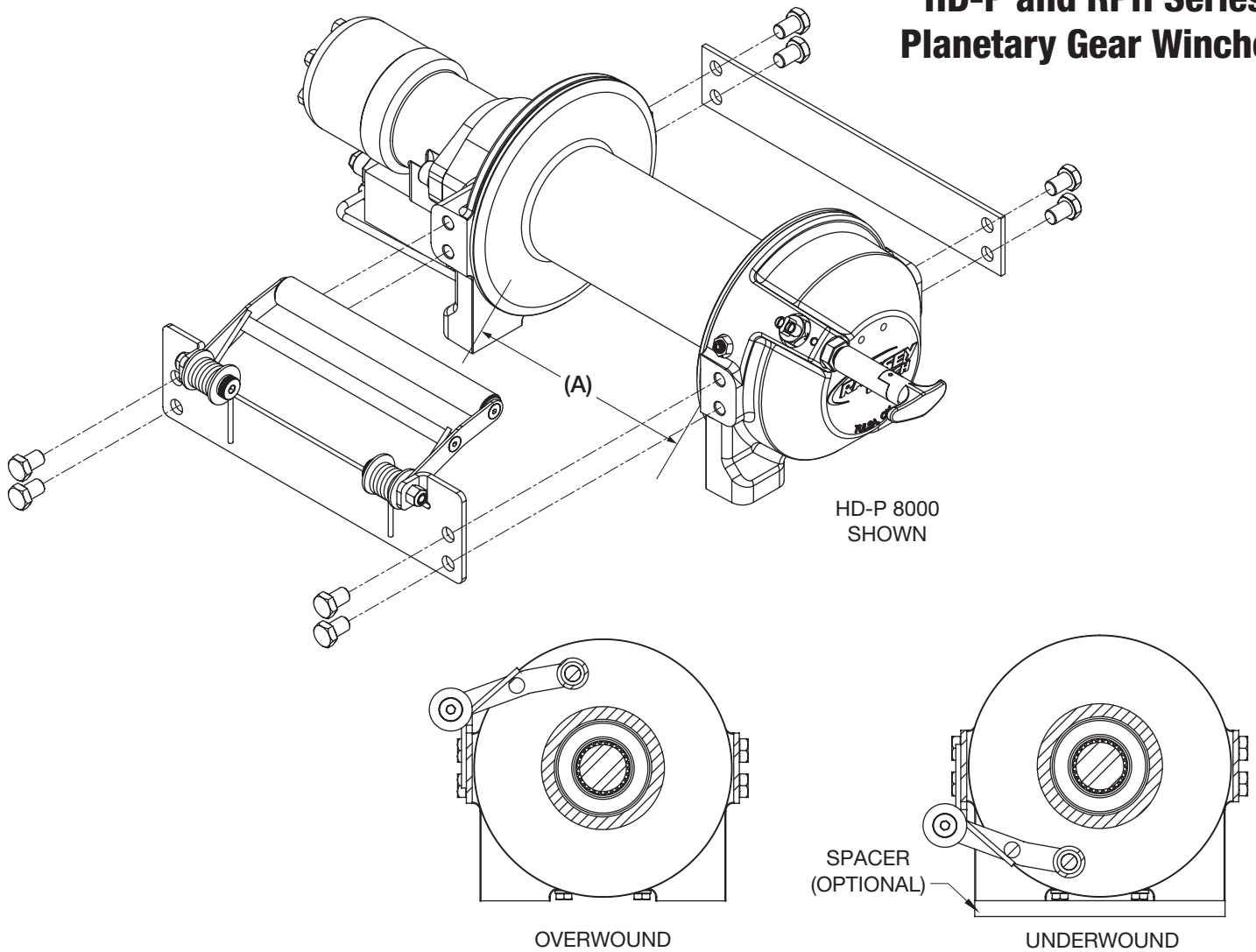
- Factory installed option
- Field installable
 - Simple, bolt-on kit
- Over wound or under wound
- Left or right drum rotation
- Standard or short drum

Planetary Gear Series - Roller Tensioner Kits

Ramsey Part Number	Description	Series (Hydraulic)		Cable Installation (see notes)	Installation Instructions (Document No.)	Optional Spacers (see notes)
256155	Roller Tensioner Kit <i>Standard Drum Length</i>	HD-P 8000 HD-P 10000 RPH 8000	RPH 12000 HD-P 34,9 RPH 42,2	Overwound or Under Wound	913424	345069 (2) Required
256156	Roller Tensioner Kit <i>Short Drum Length</i>	HD-P 8000-Y HD-P 10000-Y	HD-P 34,9-Y RPH 42,2-Y	Overwound or Under Wound	913424	345069 (2) Required

Notes: (1) Roller tensioner is designed to be used with steel cable or synthetic rope.
 (2) Roller tensioner can be installed over wound or under wound and left or right drum rotation.
 (3) Optional spacers are required when under wound using a full drum of cable or rope.

**Applicable for:
HD-P and RPH Series
Planetary Gear Winches**



Planetary Gear Series - Roller Tensioner Kits

Ramsey Part Number	Description	Drum Measurement (A)	Shipping Weight lb (kg)	Shipping Dimensions (L x W x H) in (mm)
256155	Roller Tensioner Kit Standard Drum Length	9.75 in (247.7 mm)	6 (2.72)	12.5 x 11 x 6.5 (317.5 x 279.4 x 165.1)
256156	Roller Tensioner Kit Short Drum Length	6.50 in (165.1 mm)	5 (2.27)	12.5 x 11 x 6.5 (317.5 x 279.4 x 165.1)

Notes: (1) Roller tensioner is designed to be used with steel cable or synthetic rope.
 (2) Roller tensioner can be installed over wound or under wound and left or right drum rotation.
 (3) Optional spacers are required when under wound using a full drum of cable or rope.