

ROLLER TENSIONER DRUM FIT INSTRUCTIONS FOR

KIT #256153, #256154, #256155, #256156 & #256162

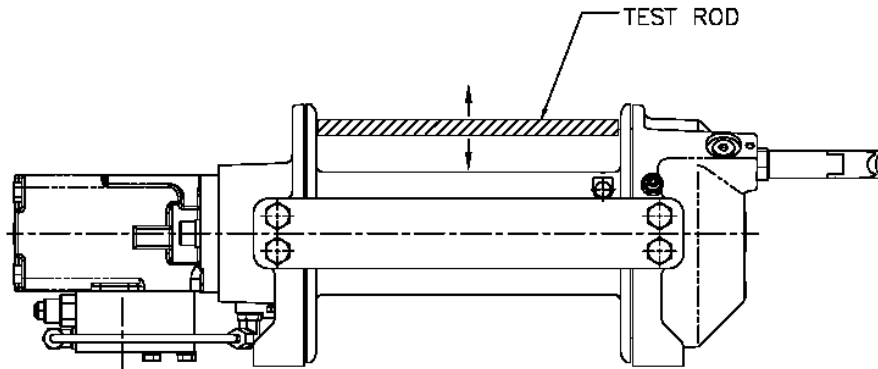
FOR RAMSEY WORM SERIES & PLANETARY SERIES WINCHES

These instructions are designed to insure proper fit of Ramsey roller tensioner assemblies for Ramsey worm gear series and planetary gear series winches. See the charts below to find the proper kit for your Ramsey winch. Once you have found the proper tensioner for your winch, find the "Test Rod Length" for your kit number. Use a ½" diameter wooden dowel (or something similar) cut to the specified length in the charts below for the kit number for your winch. Measure test rod length after cutting to confirm measurement in chart below.

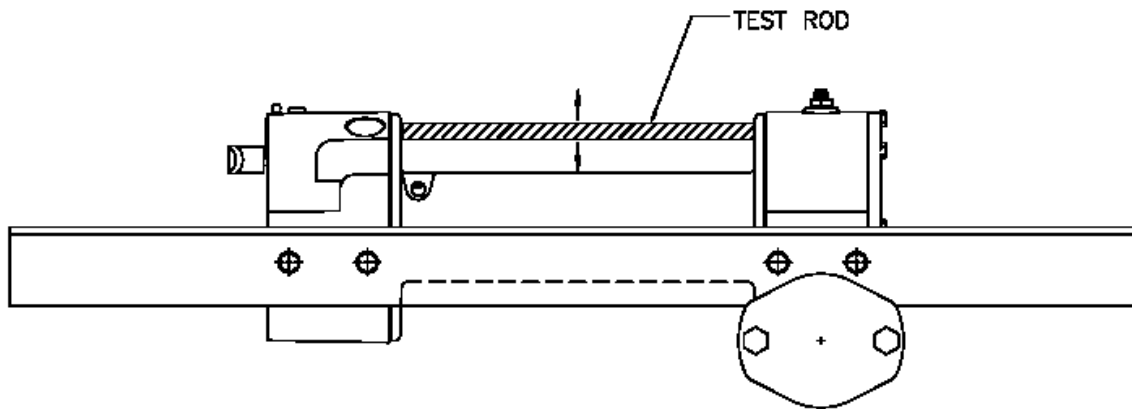
PLANETARY GEAR SERIES - ROLLER TENSIONER KITS			
Ramsey Part number	Description	Drum Measurement	Test Rod Length
256155	Roller Tensioner Kit Standard Drum	9.75 in. (247,7 mm)	9-5/8 in. (244 mm)
256156	Roller Tensioner Kit Short Drum	6.50 in. (165,1 mm)	6-3/8 in. (162 mm)

WORM GEAR SERIES - ROLLER TENSIONER KITS			
Ramsey Part number	Description	Drum Measurement	Test Rod Length
256153	Roller Tensioner Kit Standard Drum	11.31 in. (287,3 mm)	11-3/16 in. (284 mm)
256154	Roller Tensioner Kit Short Drum	6.31 in. (160,3 mm)	6-3/16 in. (157 mm)
256162	Roller Tensioner Kit Standard Drum	11.63 in. (295,4 mm)	11-1/2 in. (292 mm)

Remove all cable from winch drum. Place the test rod between the drum flanges as shown in the illustrations below. Move the test rod up and down between the flanges while rotating the drum. Make sure the test rod passes freely without obstruction around the drum flanges. If the test rod does not move freely without obstruction the roller tensioner assembly will not work properly.



Planetary Gear Series Winch



Worm Gear Series Winch



913432-0715-A