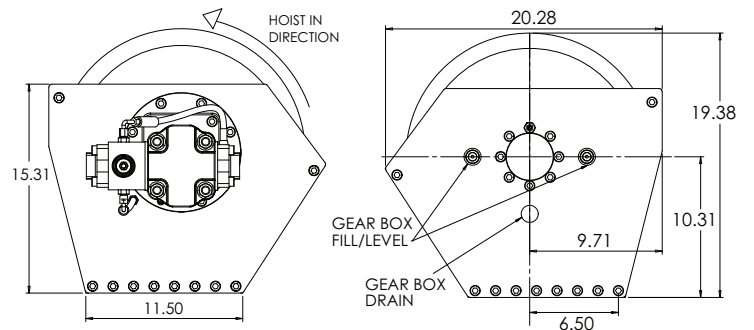
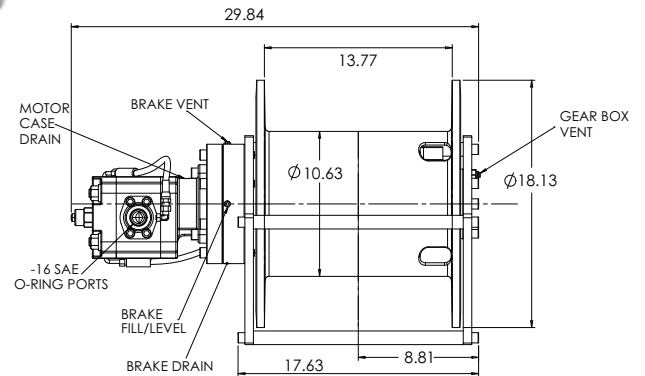
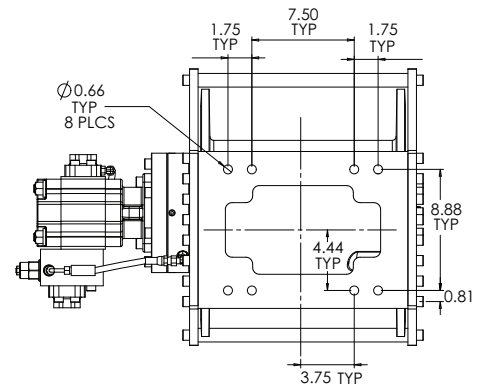
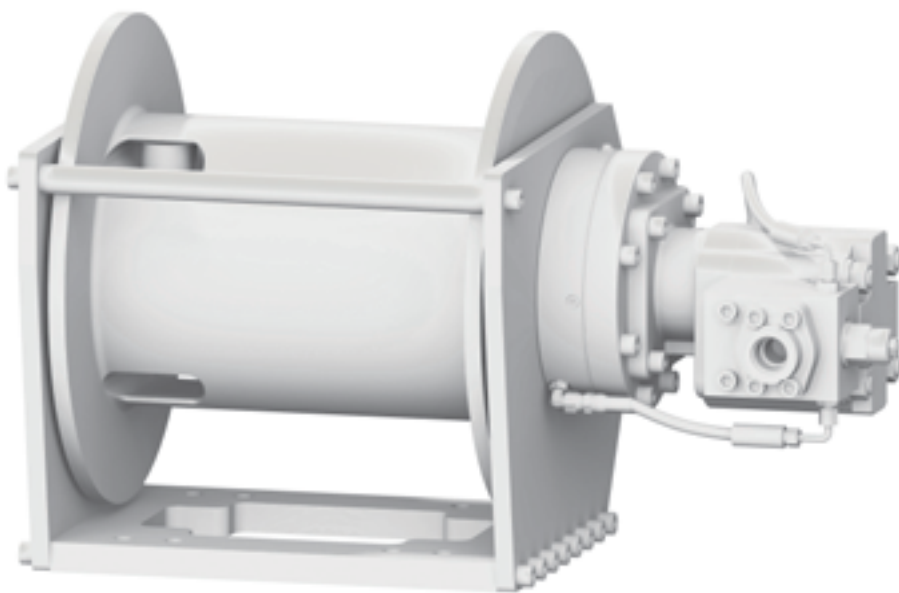


RCH 15K HOIST



New RCH 15K Planetary Hoist offers a compact design with reliable power, lift after lift.

- 15,000 lbs. first layer
- Highly efficient planetary gear set with anti friction bearings
- Spring applied hydraulic released brake
- Choice of single or two speed motors
- Fabricated steel side plates for design flexibility
- Easily accessible oil fill and drain ports for faster maintenance
- Two wedge pockets for over or under wound applications
- Meets ANSI B30.5 standards



Performance and Specifications						
RATED LINE PULL (LB)		15,000 Lb				
WEIGHT (WITHOUT WIRE ROPE)		578 Lb				
WORKING PRESSURE		2460 PSI				
MAX FLOW		60 GPM				
CABLE DIA.		5/8				
LAYER OF CABLE		1	2	3	4	5
RATED LINE PULL	LBS	15,000	13,500	12,200	11,200	10,300
CABLE CAPACITY	FT	55	125	195	275	360
LINE SPEED (AT 60 GPM)	FPM	146	160	175	189	204
SPECIFICATIONS BASED ON 5/8 CABLE AND 6.38 CU. IN. GEAR MOTOR AT 2460 PSI AND 60 GPM FLOW.						

⚠ WARNING
Winches and capstans are not intended to be used for lifting or moving of persons.

⚠ CAUTION
The last 5 wraps of cable must be left on the drum to assist the cable clamp in holding the load.

