

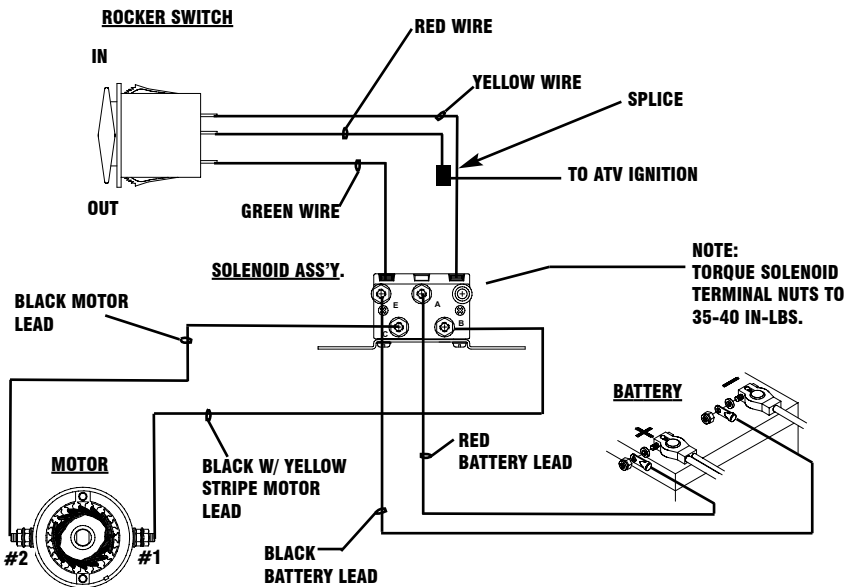
INSTALLATION INSTRUCTIONS FOR REPLACEMENT ROCKER SWITCH KIT #256117 FOR ATV WINCH WITH REMOTE MOUNTED MANUAL SWITCH



Before Beginning Installation

1. **Locate Remote Mounted Switch and Solenoid and disconnect all wiring to battery and winch.** Switch and Solenoid can be removed and discarded.
2. **Disconnect negative (-) battery cable from battery. Turn off vehicle ignition.**
3. **Disengage winch clutch.**
4. Remove hood or cowling as necessary for easier access to installation area.
5. Locate and mark mounting location for Solenoid Assembly.
6. Locate accessory wire from vehicle ignition switch that is powered only when ignition is ON. Use this wire when splicing to Red wire on Rocker switch.
7. Make sure locations are close enough for wiring connections to be made without making alterations to wire lengths.

Electrical Schematic

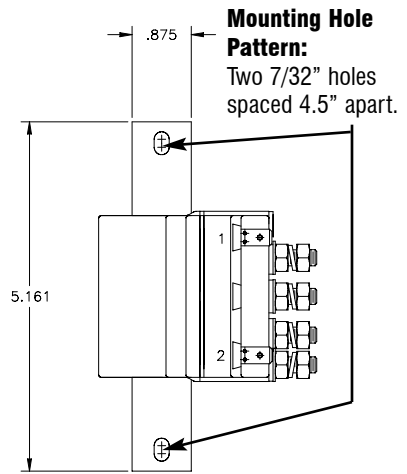


CAUTION: Do NOT connect negative battery cable or engage clutch until installation is complete. Winch could begin spooling cable unexpectedly causing injury or damage to winch.

Solenoid Mounting: Choose a mounting location that will remain protected and dry (The best location will usually be where the Solenoid for the Remote Switch was located.) Solenoid must be mounted within 24" of winch motor. Solenoid should be mounted on a flat surface.

Installing the Solenoid

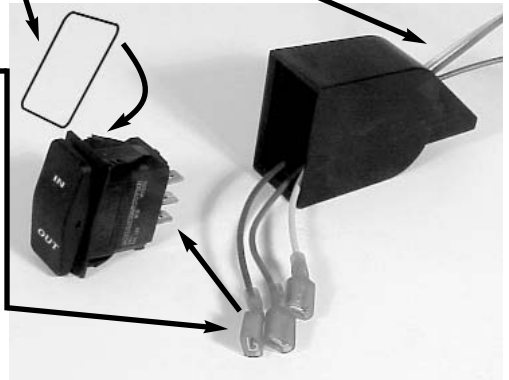
1. Use Solenoid Assembly as a guide to mark and drill (2) 7/32" holes in location determined for solenoid.
2. Use (2) 3/4" long #10 capscrews (item #1-3), (2) #10 flat washers (item #1-8), and (2) #10 locknuts (item #1-5) to mount solenoid. Tighten to 60 in-lbs (7 Nm) torque.



Installing the Rocker Switch

For clarification, see wiring schematic on page 1.

1. Position Tube Clamp (item #1-11) on handle bars in convenient location.
2. Mount Rocker Switch housing (item #2) to Tube Clamp using #10 capscrew, locknut, flat washer, and shake-proof washer (item #1-3, #1-5, #1-8 and #1-9). Tighten securely.
3. Push the Green, Red, and Yellow wires through the back of the switch housing.
4. Install the Gasket onto the Rocker Switch.
5. Connect Yellow wire (item #3-3) to top terminal on Rocker Switch (terminal behind "IN" position). Connect Red wire (item #3-1) to middle terminal on Rocker switch. Connect Green wire (item #3-2) into bottom terminal of Rocker switch.
6. Slide Green, Yellow, and Red wires into loom (item #3-4). Slide loom up to back of the switch housing.
7. Snap switch and switch housing together.
8. Push Accessory wire from ignition and other end of Red wire into plastic Splice.
9. Fold splice clip over itself and snap closed.
10. Route wires from Rocker Switch down the handle bars. Turn the handle bars fully right and left to ensure plenty of clearance.



11. Make sure wires are not drawn taut across any surfaces that could damage them. Use cable ties to anchor wires. Tie off excess.

Connect Wiring to Solenoid

CAUTION: TIGHTEN NUTS ON TERMINAL STUDS TO 35-40 IN.-LBS. (3-4 Nm) TORQUE. DO NOT OVERTIGHTEN.

For clarification, see wiring schematic on page 1.

1. Connect Red Battery Lead (Item #4-3) between "A" terminal on Solenoid and positive (+) vehicle battery terminal.
2. Connect Black Motor Lead (item #4-1) between #2 terminal on motor and C terminal on solenoid. Connect Black w/Yellow Stripe Motor Lead (item #4-2) between #1 terminal on motor and B terminal on solenoid.
3. Connect Black Battery Lead (item #4-4) to "E" terminal on Solenoid and route to negative (-) vehicle battery terminal **but do not connect**.
4. Plug Yellow wire from switch into right terminal (terminal above black with yellow stripe motor lead). Plug Green wire from switch into left terminal (terminal above black motor lead).

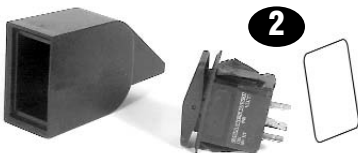
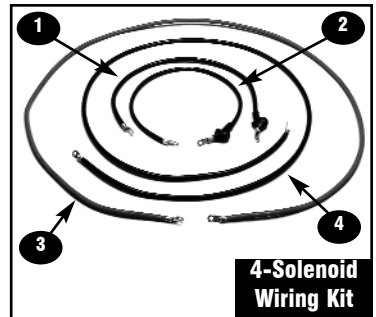
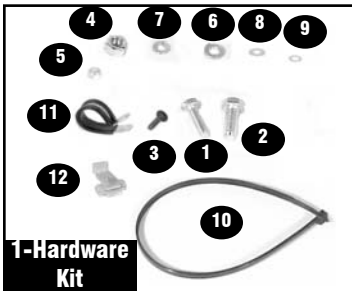
Finish Installation

1. Confirm that winch clutch is disengaged.
2. Connect negative (-) battery cable to vehicle battery. Connect Black Battery Lead from winch to negative (-) vehicle battery terminal.
3. With ignition switch OFF, press Rocker switch to "OUT"—winch should not operate. If the winch does operate with the ignition off, confirm that proper accessory wire from ignition was spliced.
4. Spool a few feet of cable out by hand. Engage winch clutch.
5. Turn ignition switch ON and press Rocker switch to "OUT"—winch should spool cable out.
6. If winch does not operate with ignition on, check wiring against the schematic on page 1.
7. If winch spools cable IN instead of OUT, turn off ignition and reverse yellow and green wires on solenoid.

PARTS LIST

ITEM

NO.	QTY.	PART NO.	DESCRIPTION
1	1	257535	HARDWARE KIT
2	1	257536	ROCKER SWITCH KIT
3	1	299728	SWITCH WIRING KIT
4	1	299724	SOLENOID WIRING KIT
5	1	251234	SOLENOID KIT



Parts List (Continued)

Hardware Kit, as shown at right, consists of the following components:

ITEM NO.	QTY.	DESCRIPTION
1-1	2	3/8-16UNC X 1" LG HX HD GR5 Z/P CAPSCREW
1-2	4	5/16-18UNC X 1" LG HX HD Z/P CAPSCREW
1-3	3	#10-24NC X 3/4 LG TRUSS CR RECESS F/B CAPSCREW
1-4	2	3/8-16UNC REG HX HD GR2 Z/P NUT
1-5	3	#10-24NC HEX LOCK NUT
1-6	4	5/16" MED Z/P LOCK WASHER
1-7	2	3/8" MED Z/P LOCK WASHER
1-8	3	#10 Z/P FLAT WASHER
1-9	1	#10 SHAKE PROOF WASHER
1-10	1 PKG	CABLE TIES (12 EA)
1-11	1	TUBE CLAMP
1-12	1	WIRE SPLICE

Switch Wiring Kit, as shown at right, consists of the following components:

ITEM NO.	QTY.	DESCRIPTION
3-1	1	123" RED WIRE
3-2	1	123" GREEN WIRE
3-3	1	123" YELLOW WIRE
3-4	1	24" LOOM

Solenoid Wiring Kit, as shown at right, consists of the following components:

ITEM NO.	QTY.	DESCRIPTION
4-1	1	37" MOTOR LEAD - BLACK
4-2	1	37" MOTOR LEAD - BLACK W/YELLOW STRIPE
4-3	1	97" BATTERY LEAD - RED
4-4	1	97" BATTERY LEAD - BLACK

Limited Lifetime Warranty

Ramsey Winch offers a limited lifetime warranty for each new Ramsey ATV winch against manufacturing defects in workmanship and materials on all manufactured components.

Warranty registration cards for each winch must be submitted at the time of purchase, or within 90 days. Online registration of your winch is available at www.ramsey.com.

All Ramsey mounting kits and other accessories carry a 1-year limited warranty against defects in materials and workmanship.

This warranty is void if winch is used in commercial/industrial applications other than front mount self recovery.

Electrical components consisting of motors, solenoids, wiring, wire connectors, and associated parts carry a limited 1-year warranty.

The obligation under this warranty, statutory or otherwise, is limited to the replacement or repair at the manufacturer's factory, or at a point designated by the manufacturer, of such part as shall appear to the manufacturer, upon inspection of such part, to have been defective in material or workmanship. This Warranty does not obligate Ramsey Winch Company to bear the cost of transportation charges in connection with the replacement or repair of defective parts, nor shall it apply to a product upon which repairs or alterations have been made, unless authorized by the manufacturer, or for equipment misused, neglected, or improperly installed.

Important notice: To the fullest extent permitted by applicable law, the following are hereby excluded and disclaimed:

1. All warranties of fitness for a particular purpose;
 2. All warranties of merchantability;
 3. All claims for consequential or incidental damages.
- There are no warranties that extend beyond the description that appears on the face hereof.**

Some states do not allow the above exclusions or disclaimers in consumer transactions and as such this disclaimer/exclusion may not apply to your particular case.

To the extent such warranties of fitness for a particular purpose or merchantability are deemed to apply to this product, they exist only for so long as the express limited warranty elsewhere set forth is in existence.

Ramsey Winch Company makes no warranty in respect to accessories, same being subject to the warranties of their respective manufacturers.

Ramsey Winch Company, whose policy is one of continuous product improvement, reserves the right to improve any product through changes in design or materials as it may deem desirable without being obligated to incorporate such changes in products of previous manufacture.

If field service at the request of the buyer is rendered and the fault is found not to be with Ramsey Winch Company's product, the buyer shall pay the time and expense of the field representative. Bills for service, labor or other expenses which have been incurred by the buyer without express approval or authorization by Ramsey Winch Company will not be accepted.

This Warranty gives you specific legal rights and you may also have other legal rights which vary from state to state.



RAMSEY WINCH COMPANY
P.O. BOX 581510 TULSA, OK 74158-1510 USA
PHONE: (918) 438-2760 FAX: (918) 438-6888
visit us at <http://www.ramsey.com>

OM-914099-1103-D