

# INSTALLATION INSTRUCTIONS

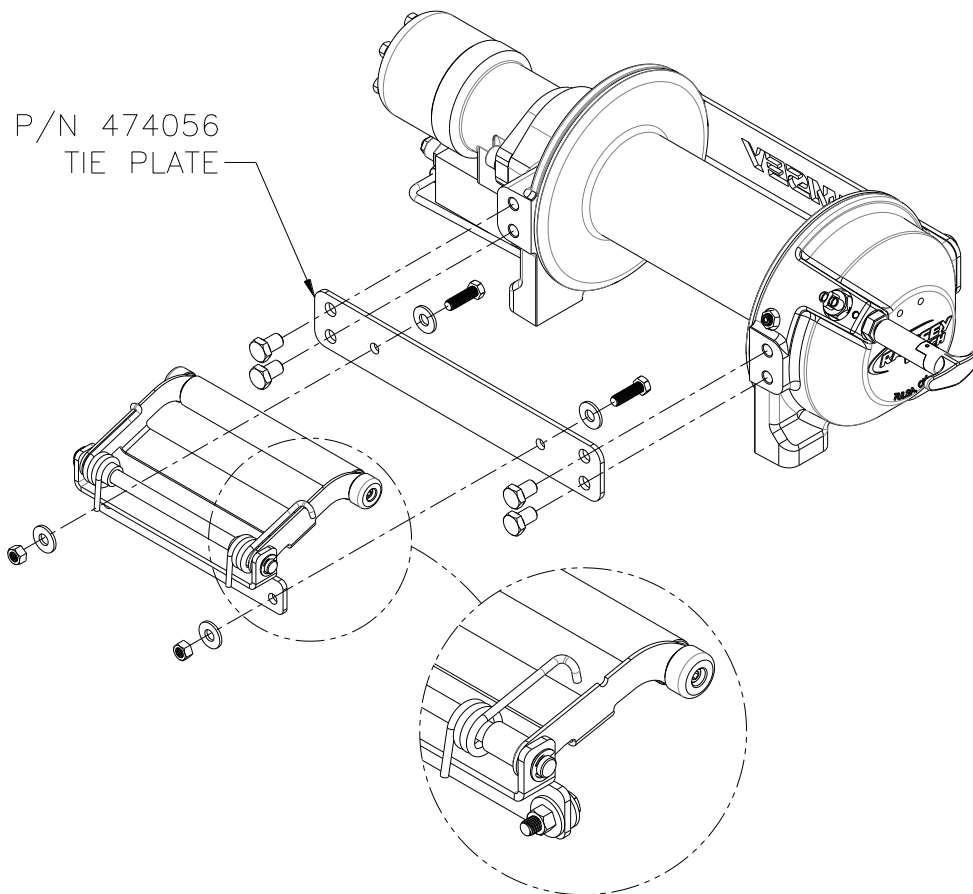
## FOR KIT #256170

### FOR RPH 8000, 10000, 12000, SERIES & HDP 8000, 10000

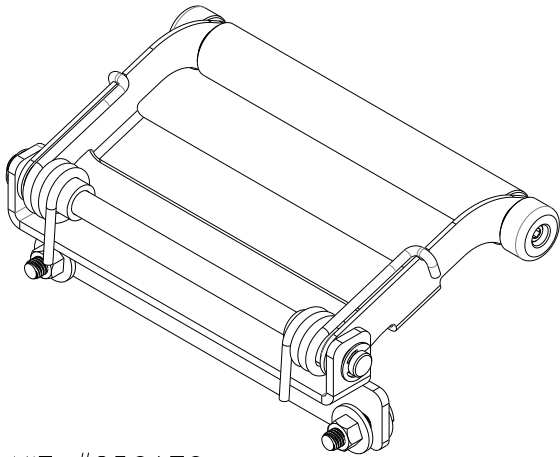
These tensioner kits are designed specifically for Ramsey Winch Models RPH 8000, 10000, 12000 & HDP 8000 & 10000. Kit #256170 for standard drum is configured for overwound and underwound applications. Winch removal may be necessary before kit installation.

#### INSTALLATION PROCEDURE

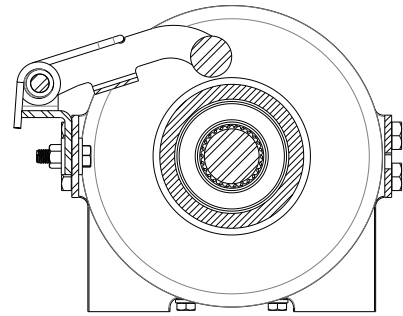
Disengage the winch clutch and free spool cable off the winch drum. Remove and discard the tie plate on the opposite side of the working cable. Install new tie plate p/n 474056 using existing tie plate bolts. Unhook the spring legs from the tensioner arms as shown in illustration below. Remove the two nuts and washers from mounting bolts on tensioner assembly. Install the two mounting bolts and washers thru the tie plate as shown in illustration below. Align the bolts with the holes in the tensioner mounting plate. Push on the tensioner assembly until one of the bolts goes thru to the mounting plate. **There will be some spring preload.** Install the washer and nut. Repeat the process for the other bolt. Using a flat blade screw driver or similar tool, hook the spring legs onto the tensioner arms. Alternate tightening bolts evenly until the tensioner bracket is flat against the tie plate. Tighten bolts to 35 ft.-lb. and reinstall cable on drum.



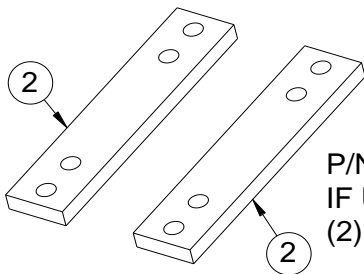
Install roller up for overwound application (illustration #1) and roller down for underwound applications (Illustration #2). Spacers (#2) may be required for some underwound applications for roller clearance. **If spacers are used, 1/2" longer bolts (not included) must be used to mount winch.**



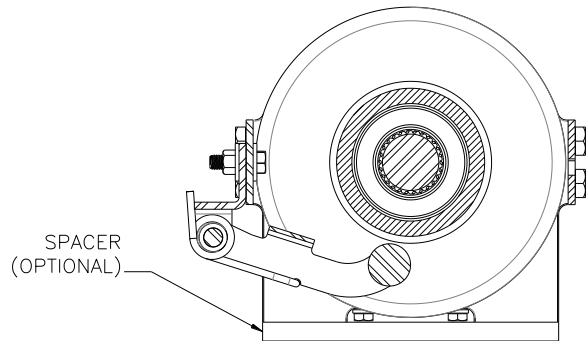
KIT #256170



OVERWOUND APPLICATION  
ILLUSTRATION #1



P/N 345069  
IF USED  
(2) REQUIRED



UNDERWOUND APPLICATION  
ILLUSTRATION #2



KI-913440-1017-A